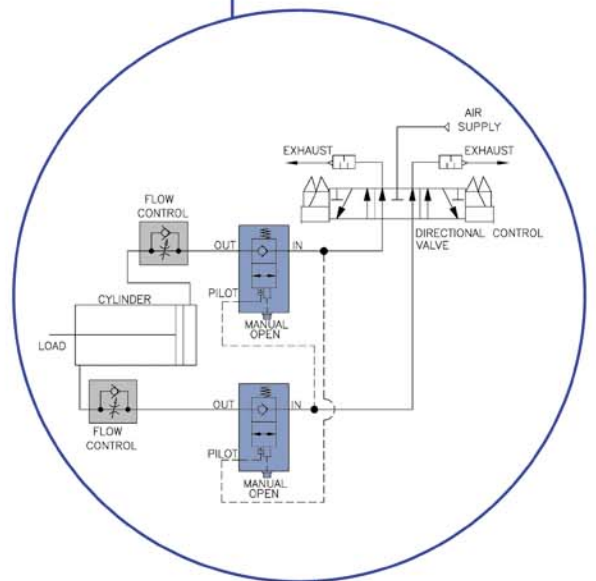
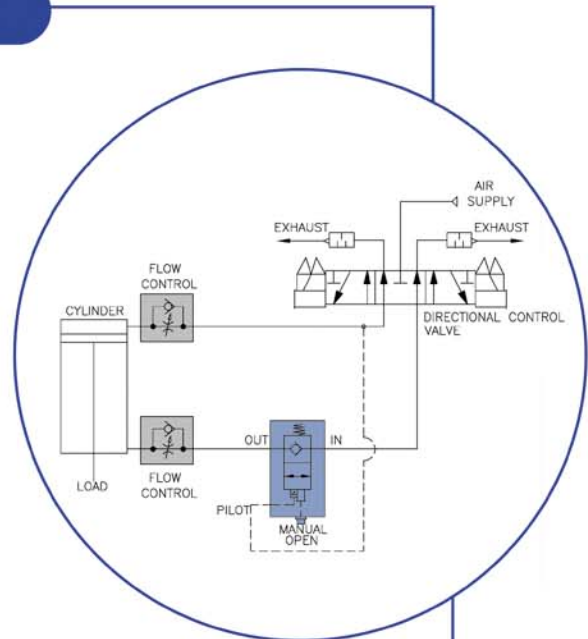


NU-CHECK® VALVES

The Nu-Check® Valve, designed specifically for pneumatics, is a patented ALADCO product. It is the only check valve on the market with both pilot and manual release capabilities. The unique bubble-tight seal keeps devices in "checked" position. If pressure loss or fluctuation should occur, the valve prevents drifting. To release the seal, simply operate the pilot or depress the manual override button.

Features

- Prevents load drift
- Provides rapid stopping of load
- Designed for non-lubricated systems
- Operating pressure 15-150 psi and temperature 30-150° F
- Flow capacity 0.2 Cv to 4.0 Cv
- Made of high strength, lightweight, anodized aluminum alloy
- Exceeds A.N.S.I. Class VI Leak Standard (Bubble Tight)
- Superior, self-cleaning ball seal provides long product life, over 100 million cycles in test.
- All valves are manufactured tamper resistant and require no maintenance.
- Patented and made in the USA

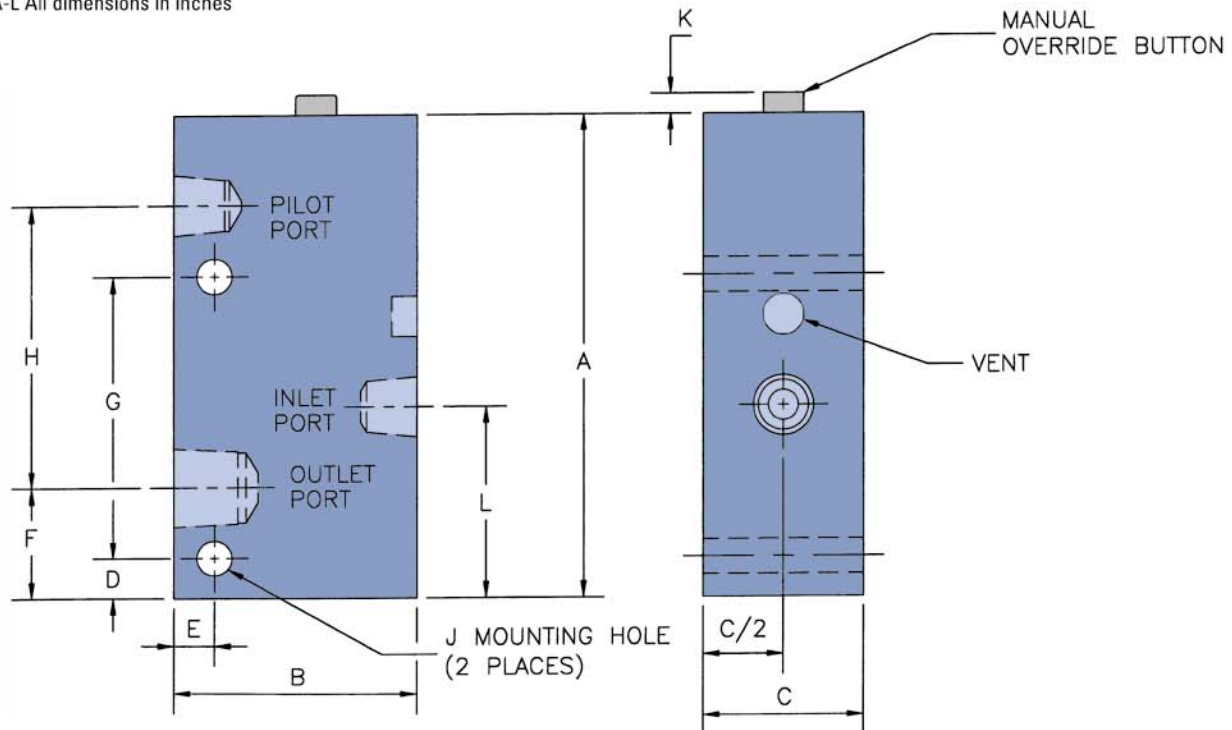


DIMENSIONAL DATA

SPECIFICATIONS

Port Size	A	B	C	D	E	F	G	H	J	K	L	Pilot Port	Cv	Weight Lbs.	Cracking Pressure	Pilot Ratio
10-32	1.94	1.00	0.75	1.28	0.15	0.38	N/A	1.30	0.18	0.18	0.82	10-32	0.2	0.25	2.0 psi	4:1
1/8"	3.00	1.50	1.00	0.25	0.25	0.69	1.75	1.75	0.22	0.13	1.19	1/8"	0.4	0.50	2.0 psi	4:1
1/4"	3.83	2.00	1.50	0.25	0.38	0.85	2.38	2.34	0.28	0.22	1.50	1/4"	1.7	1.25	2.0 psi	4:1
3/8"	3.83	2.50	1.50	0.25	0.38	0.85	2.38	2.34	0.28	0.22	1.50	1/4"	1.7	1.50	2.0 psi	4:1
1/2"	3.83	2.50	1.50	0.25	0.38	0.85	2.38	2.34	0.28	0.22	1.50	1/4"	1.7	1.50	2.0 psi	4:1
3/4"	5.55	3.00	2.00	2.00	0.42	1.04	2.00	3.88	0.28	0.20	2.58	1/4"	4.0	3.00	2.0 psi	3:1
1"	5.55	3.00	2.00	2.00	0.42	1.04	2.00	3.88	0.28	0.20	2.51	1/4"	4.0	3.00	2.0 psi	3:1

* A-L All dimensions in inches



Note: 10-32 UNF models have only one mounting hole

ORDERING INFORMATION

To order please indicate your part number(s) by formulating the desired style number for each of the corresponding areas from the list below. See the sample part number at right.

Button Style	Port Size	Seal Type	Options
SAMPLE 30	SAMPLE 32	SAMPLE SA 01	(if required) SAMPLE

Button Style:

Style	Description
30	Pilot Operated with Override Button
31	Pilot Operated with Flush Override Button
32	Pilot Operated with No Override Button

Port Size:

Style	Description
32	10-32 UNF
12	1/8" NPTF
25	1/4" NPTF
38	3/8" NPTF
50	1/2" NPTF
75	3/4" NPTF
01	1" NPTF

Seal Type:

Style	Description	Status
01	Buna N Seals – (Temperature range -30 to 150 °F)	In-Stock
02	Viton Seals – (Temperature range -15 to 400 °F)	Limited Stock

Options:

Style	Description	Status
BSP	British Standard Parallel Ports G (Rp full form)	Limited Stock
HP	High Pressure, 350 psi rating	In-Stock
NCP	No Cracking Pressure (0 psi cracking pressure)	In-Stock
SS	Stainless Steel, all parts	Limited Stock
VAC	Vacuum Application	In-Stock

* Options can be combined; please call with any questions

ALADCO®

W227 N546 Westmound Dr., Waukesha, WI 53186-1653
Tel 262-544-5994 • Fax 262-544-0116 • www.aladco.com

For Order Information Call • 1-800-383-6994

Improvements to ALADCO products are being actively investigated, so product characteristics may be subject to improvement without notice

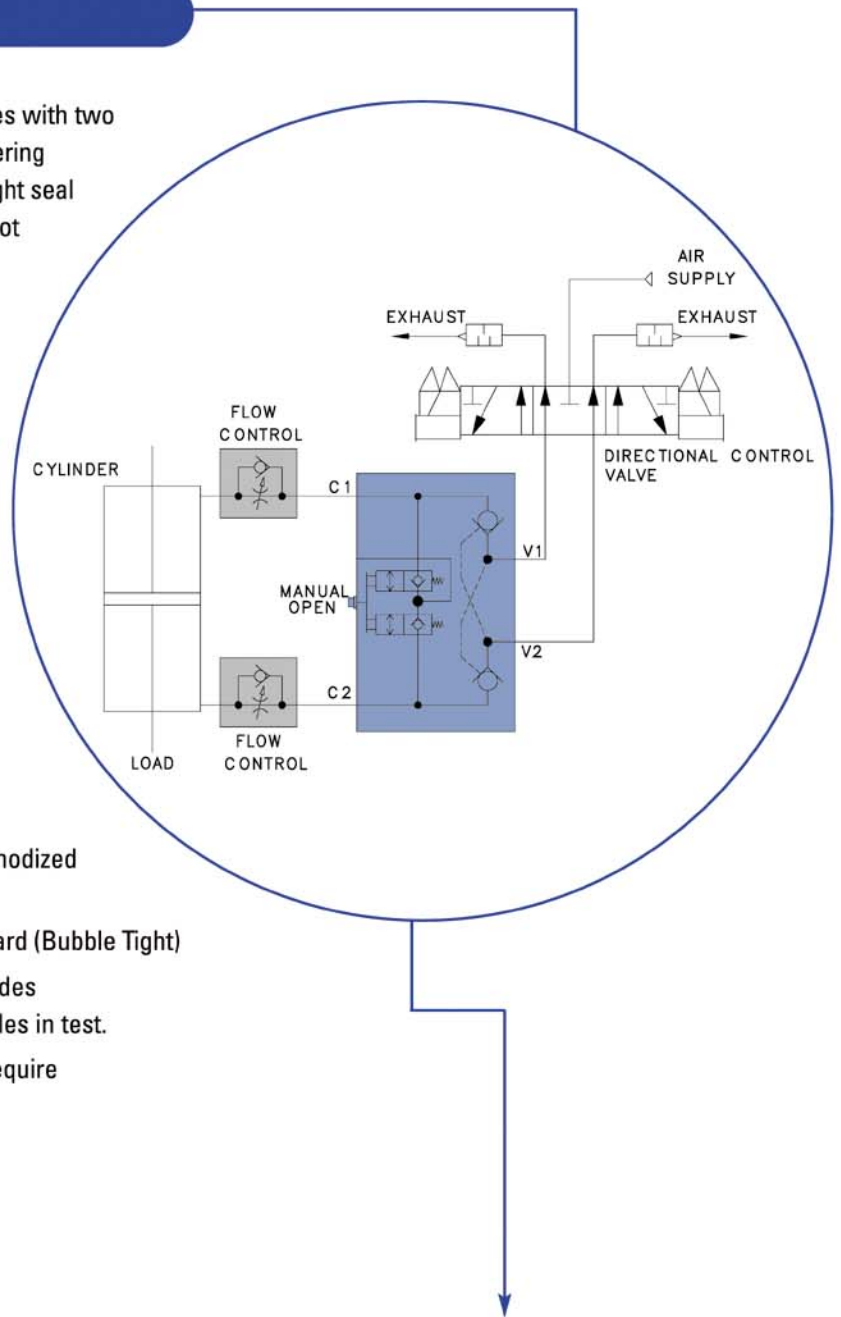


DUAL-CHECK™ VALVES

Dual-Check™ Valves are soft start valves with two check valves in one unit. The self-centering spool in the valve maintains a bubble-tight seal for emergency stopping. An internal pilot provides a quick response time, and eliminates the need for external pilot lines, thus preventing potential leaks and simplifying installation. Available with manual release capabilities.

Features

- Prevents load drift
- Provides rapid stopping of load
- Can provide multiple position control
- Designed for non-lubricated systems
- Operating pressure 15-150 psi and temperature 30-150°F
- Flow capacity 1.1 Cv to 1.9 Cv
- Made of high strength, lightweight, anodized aluminum alloy
- Exceeds A.N.S.I. Class VI Leak Standard (Bubble Tight)
- Superior, self-cleaning ball seal provides long product life, over 100 million cycles in test.
- All valves are tamper resistant and require no maintenance.
- Patented and made in the USA

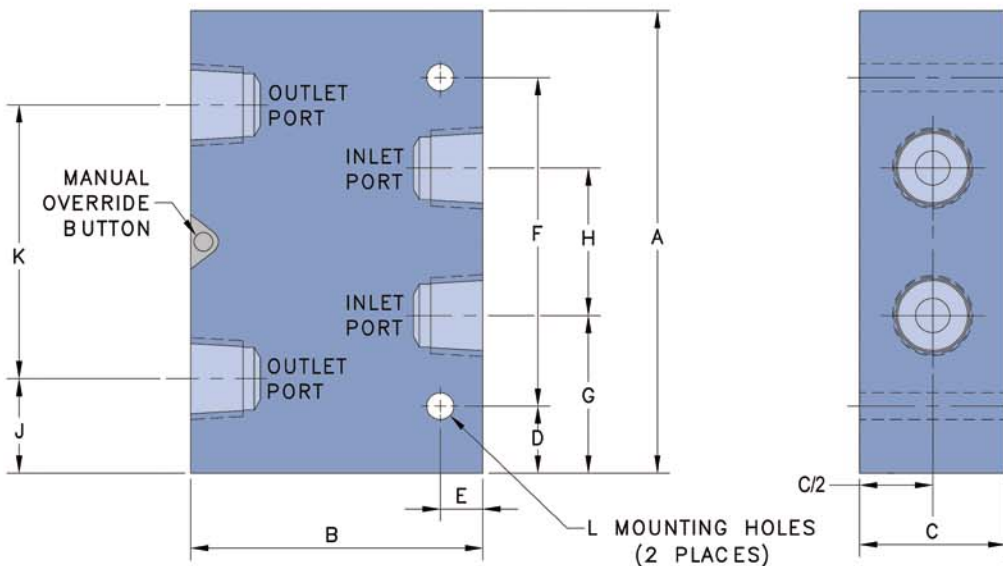


DIMENSIONAL DATA

SPECIFICATIONS

Port Size	A	B	C	D	E	F	G	H	J	K	L	Pilot Port	Cv	Weight Lbs.	Cracking Pressure	Pilot Ratio
1/8"	3.38	1.75	1.00	0.69	0.25	2.00	1.17	1.03	0.68	2.02	0.28	NA	1.1	0.75	2.0 psi	3:1
1/4"	4.75	2.50	1.50	0.69	0.31	3.38	1.62	1.51	0.97	2.81	0.28	NA	1.9	1.50	2.0 psi	4:1
3/8"	4.75	3.00	1.50	0.69	0.44	3.38	1.62	1.51	0.97	2.81	0.28	NA	1.9	2.00	2.0 psi	4:1
1/2"	4.75	3.00	1.50	0.69	0.44	3.38	1.62	1.51	0.97	2.81	0.28	NA	1.9	2.00	2.0 psi	4:1

* A-L All dimensions in inches



ORDERING INFORMATION

To order please indicate your part number(s) by formulating the desired style number for each of the corresponding areas from the list below. See the sample part number at right.

Button Style	Port Size	Seal Type	Options
SA162	SAMPLE 38	SA01E	SAMPLE SA (if required) SAMPLE

Button Style:

Style	Description
60	Pilot Operated with Override Button
61	Pilot Operated with Flush Override Button
62	Pilot Operated with No Override Button

Port Size:

Style	Description
12	1/8" NPTF (Not Available in Button Style 60)
25	1/4" NPTF
38	3/8" NPTF
50	1/2" NPTF

Seal Type:

Style	Description	Status
01	Buna N Seals – (Temperature range -30 to 150°F)	In-Stock
02	Viton Seals – (Temperature range -15 to 400°F)	Limited Stock

Options:

Style	Description	Status
BSPP	British Standard Parallel Ports G (Rp full form)	Limited Stock
SS	Stainless Steel, all parts	Limited Stock

* Options can be combined; please call with any questions

ALADCO®

W227 N546 Westmound Dr., Waukesha, WI 53186-1653
Tel 262-544-5994 • Fax 262-544-0116 • www.aladco.com

For Order Information Call • 1-800-383-6994

Improvements to ALADCO products are being actively investigated, so product characteristics may be subject to improvement without notice

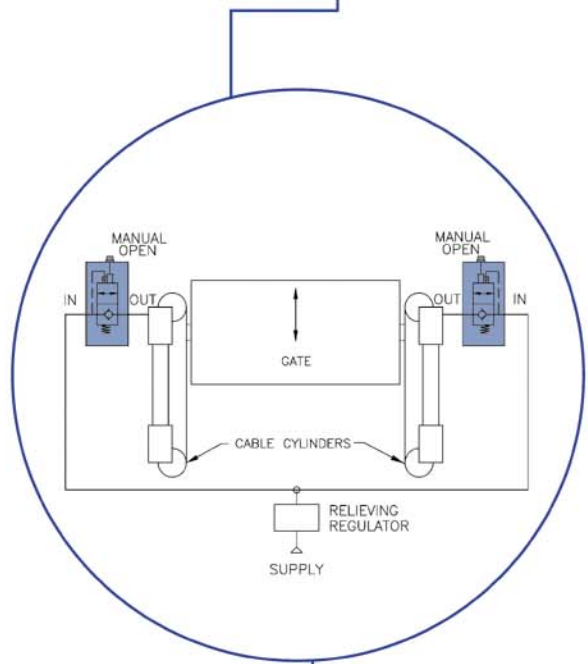
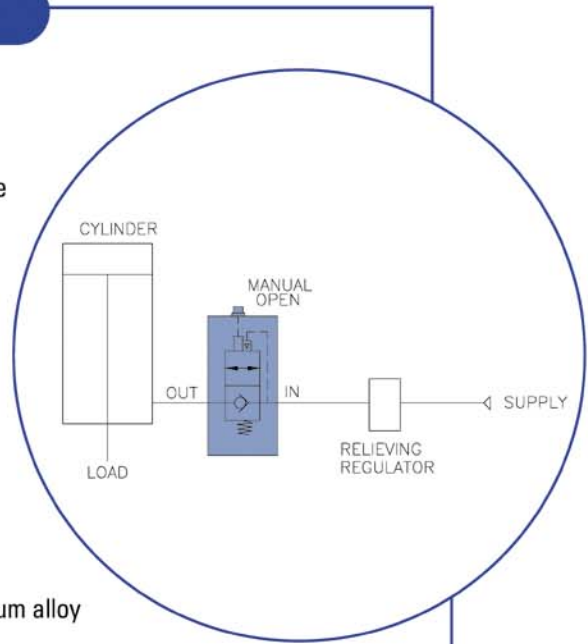


BALANCE-CHECK™ VALVES

The Balance-Check™ Valve, designed specifically for pneumatics, is a patented ALADCO product. The unique bubble-tight seal keeps 20 psi of air in the cylinder to form an air cushion. This valve is commonly used on air balancers.

Features

- Prevents load drift
- Designed for non-lubricated systems
- Operating pressure 15-150 psi and temperature 30-150°F
- Flow capacity 1.0 Cv
- Made of high strength, lightweight, anodized aluminum alloy
- Exceeds A.N.S.I. Class VI Standard (Bubble Tight)
- Superior, self-cleaning ball seal provides long product life.
- All valves are manufactured tamper resistant and require no maintenance.
- Patented and made in the USA

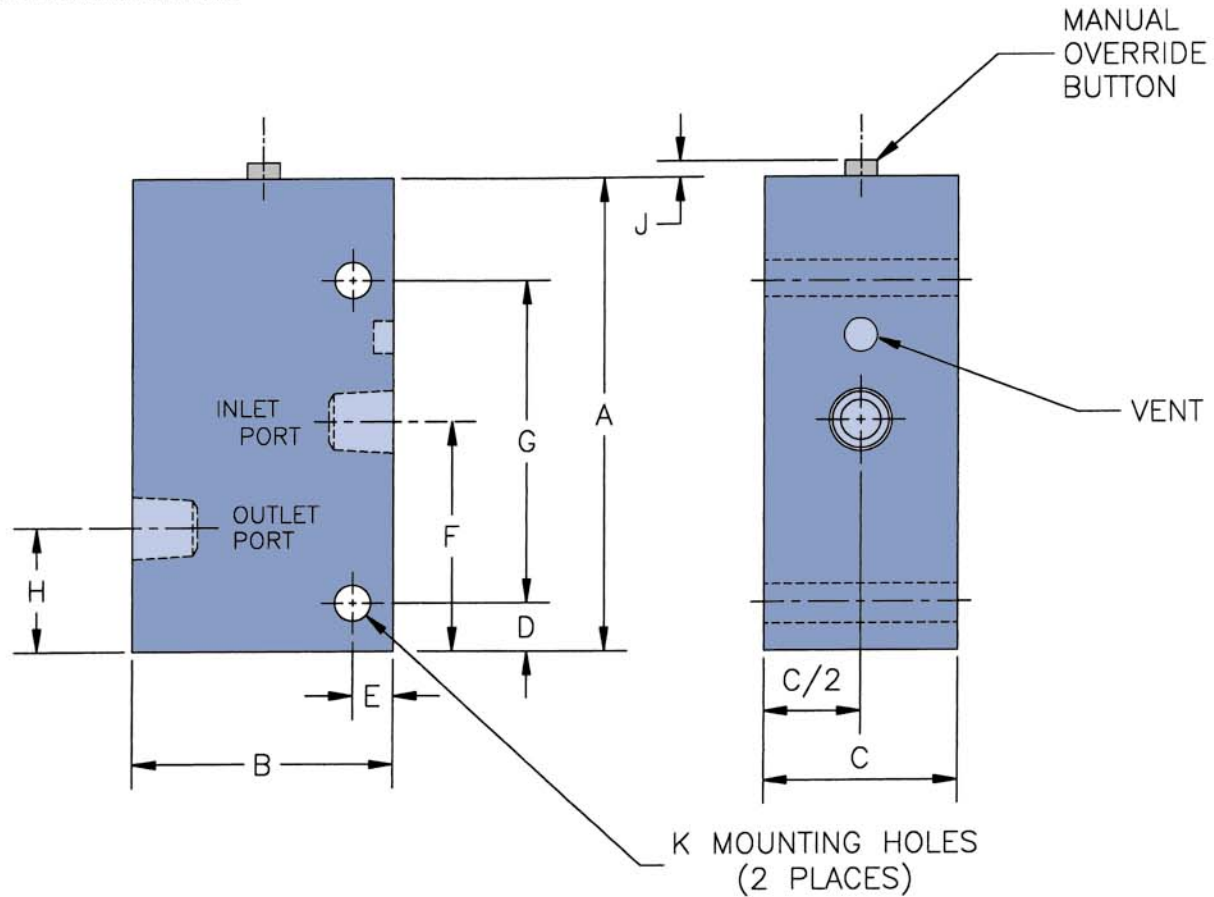


DIMENSIONAL DATA

SPECIFICATIONS

Port Size	A	B	C	D	E	F	G	H	J	K	L	Pilot Port	Cv	Weight Lbs.	Cracking Pressure	Pilot Ratio
3/8"	3.66	2.00	1.25	0.37	0.31	0.96	2.50	1.78	0.21	0.28	N/A	N/A	1.0	1.25	2.0 psi	1:1

* A-L All dimensions in inches



ORDERING INFORMATION

To order please indicate your part number(s) by formulating the desired style number for each of the corresponding areas from the list below. See the sample part number at right.

Button Style	Port Size	Seal Type	Options
36 SAMPLE	38 SAMPLE	01 SAMPLE	(if required) SAMPLE

Button Style:

Style	Description
36	Internal Pilot Operated with Override Button
37	Internal Pilot Operated with Flush Override Button

Port Size:

Style	Description
38	3/8" NPTF

Seal Type:

Style	Description	Status
01	Buna N Seals – (Temperature range -30 to 150°F)	In-Stock
02	Viton Seals – (Temperature range -15 to 400 °F)	Limited Stock

Options:

Style	Description	Status
BSP	British Standard Parallel Ports G (Rp full form)	Special
SS	Stainless Steel, all parts	Special

* Options can be combined; please call with any questions

ALADCO®

W227 N546 Westmound Dr., Waukesha, WI 53186-1653
Tel 262-544-5994 • Fax 262-544-0116 • www.aladco.com

For Order Information Call • 1-800-383-6994

Improvements to ALADCO products are being actively investigated, so product characteristics may be subject to improvement without notice

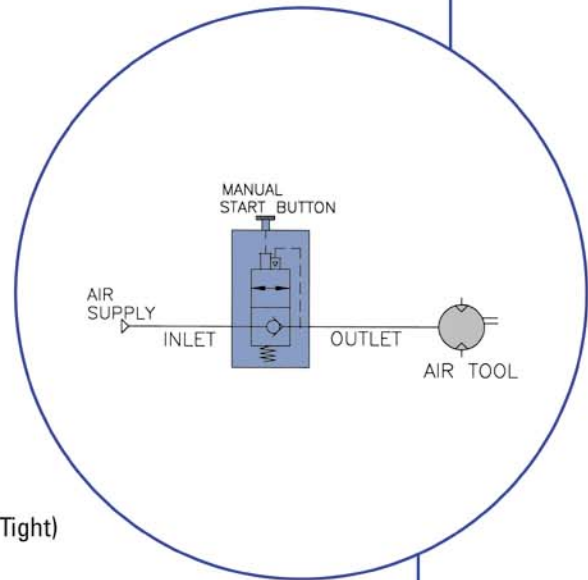


AIR-FUSE™ VALVES

The Air-Fuse™ Valve, designed specifically for pneumatics, is a patented ALADCO product. The valve monitors air circuits. In the event of broken air lines, the valve stops all air flow, preventing whipping hoses.

Features

- Designed for non-lubricated systems
- Operating pressure 30-120 psi and temperature 30-150°F
- Flow capacity 1.0 Cv
- Made of high strength, lightweight, anodized aluminum alloy
- Exceeds A.N.S.I. Class VI Leak Standard (Bubble Tight)
- Superior, self-cleaning ball seal provides long product life.
- All valves are manufactured tamper resistant and require no maintenance.
- Air flow is stopped 100% to allow for repair
- Manual start button will not reset until air line repair is made
- Activates when air pressure drops to 20 psi
- Patented and made in the USA



WARNING!
THIS VALVE TRAPS AIR IN
DEVICES! ACCIDENTAL
RELEASE OF TRAPPED
AIR OR FAILURE TO
RELIEVE TRAPPED AIR
MAY BE HAZARDOUS.

AIR INLET AND OUTLET
LINES MUST BE THE
SAME SIZE. PRESSURE
RANGE IS 30-120 PSI

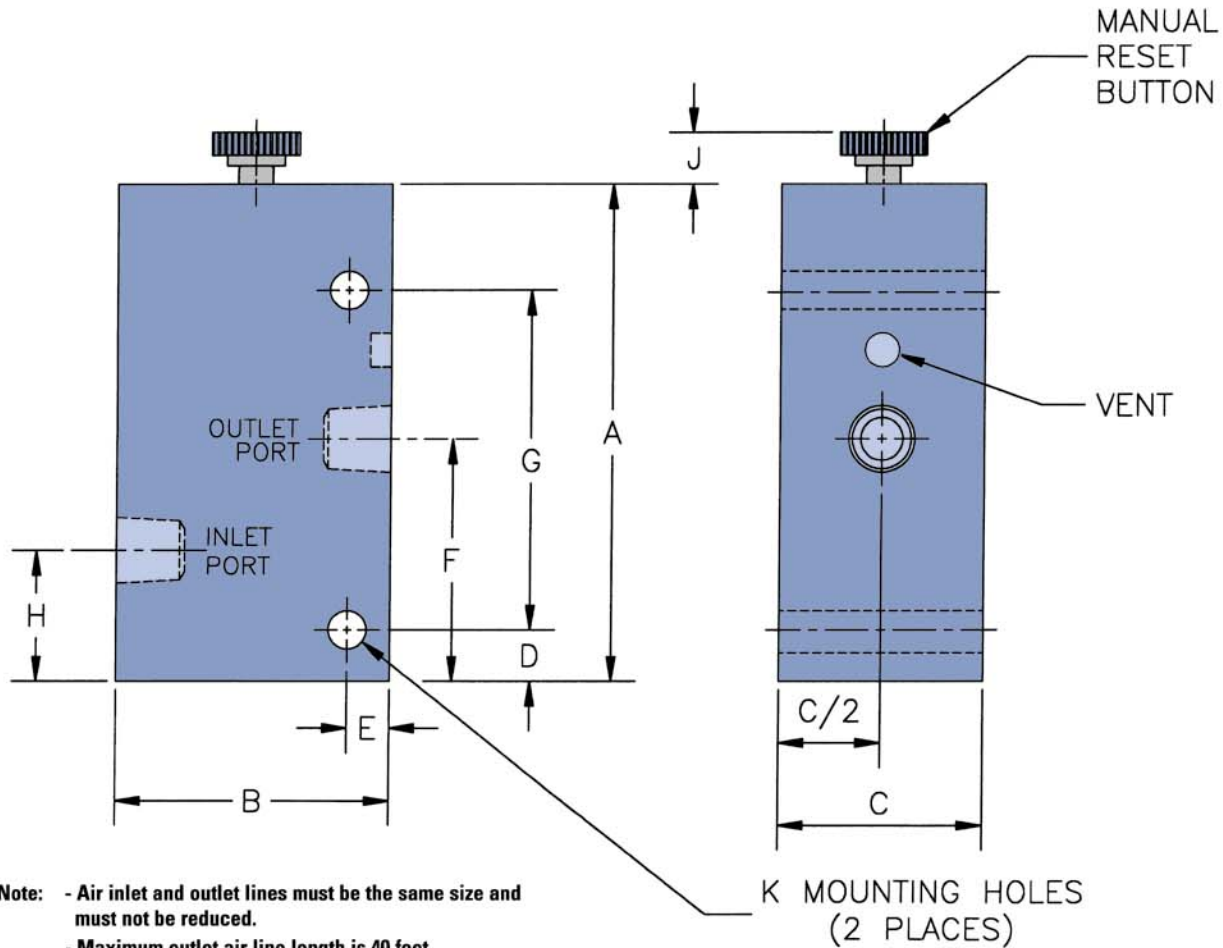
ALADCO
AIR-FUSE™
MODEL #383801
WAUKESHA, WISCONSIN
U.S.A. PATENTED

DIMENSIONAL DATA

SPECIFICATIONS

Port Size	A	B	C	D	E	F	G	H	J	K	L	Pilot Port	Cv	Weight Lbs.	Cracking Pressure	Pilot Ratio
3/8"	3.66	2.00	1.25	0.37	0.31	1.78	2.50	0.96	0.38	0.28	N/A	N/A	1.0	1.25	NA	1:1

* A-L All dimensions in inches



Note: - Air inlet and outlet lines must be the same size and must not be reduced.
- Maximum outlet air line length is 40 feet.

ORDERING INFORMATION

To order please indicate your part number(s) by formulating the desired style number for each of the corresponding areas from the list below. See the sample part number at right.

Button Style	Port Size	Seal Type	Options
SAMPLE 38	SAMPLE 38	SAMPLE 01	SAMPLE SA (if required)

Button Style:

Style	Description
38	Internal Pilot Operated with Reset Button

Port Size:

Style	Description
38	3/8" NPTF

Seal Type:

Style	Description	Status
01	Buna N Seals - (Temperature range -30 to 150°F)	In-Stock
02	Viton Seals - (Temperature range -15 to 400°F)	Limited Stock

Options:

Style	Description	Status
BSPP	British Standard Parallel Ports G (Rp full form)	Special
SS	Stainless Steel, all parts	Special

* Options can be combined; please call with any questions

ALADCO®

W227 N546 Westmound Dr., Waukesha, WI 53186-1653
Tel 262-544-5994 • Fax 262-544-0116 • www.aladco.com

For Order Information Call • 1-800-383-6994

Improvements to ALADCO products are being actively investigated, so product characteristics may be subject to improvement without notice

