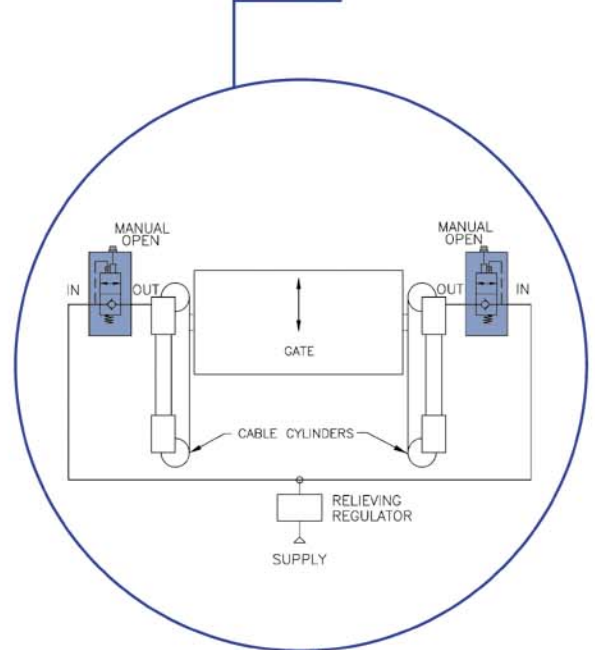
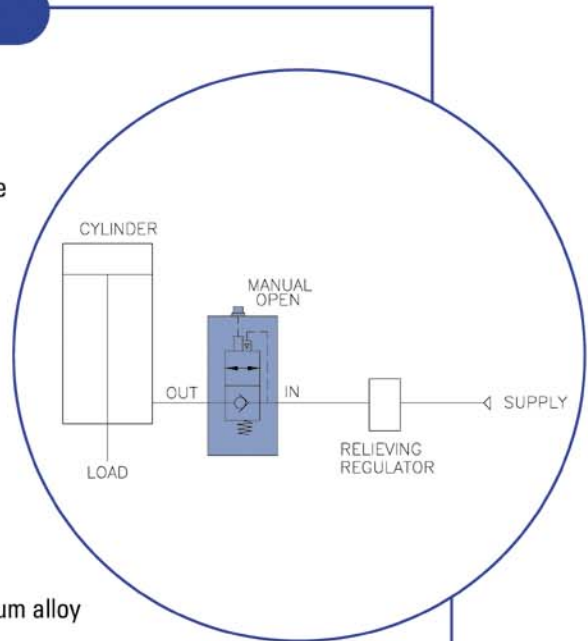


BALANCE-CHECK™ VALVES

The Balance-Check™ Valve, designed specifically for pneumatics, is a patented ALADCO product. The unique bubble-tight seal keeps 20 psi of air in the cylinder to form an air cushion. This valve is commonly used on air balancers.

Features

- Prevents load drift
- Designed for non-lubricated systems
- Operating pressure 15-150 psi and temperature 30-150°F
- Flow capacity 1.0 Cv
- Made of high strength, lightweight, anodized aluminum alloy
- Exceeds A.N.S.I. Class VI Standard (Bubble Tight)
- Superior, self-cleaning ball seal provides long product life.
- All valves are manufactured tamper resistant and require no maintenance.
- Patented and made in the USA

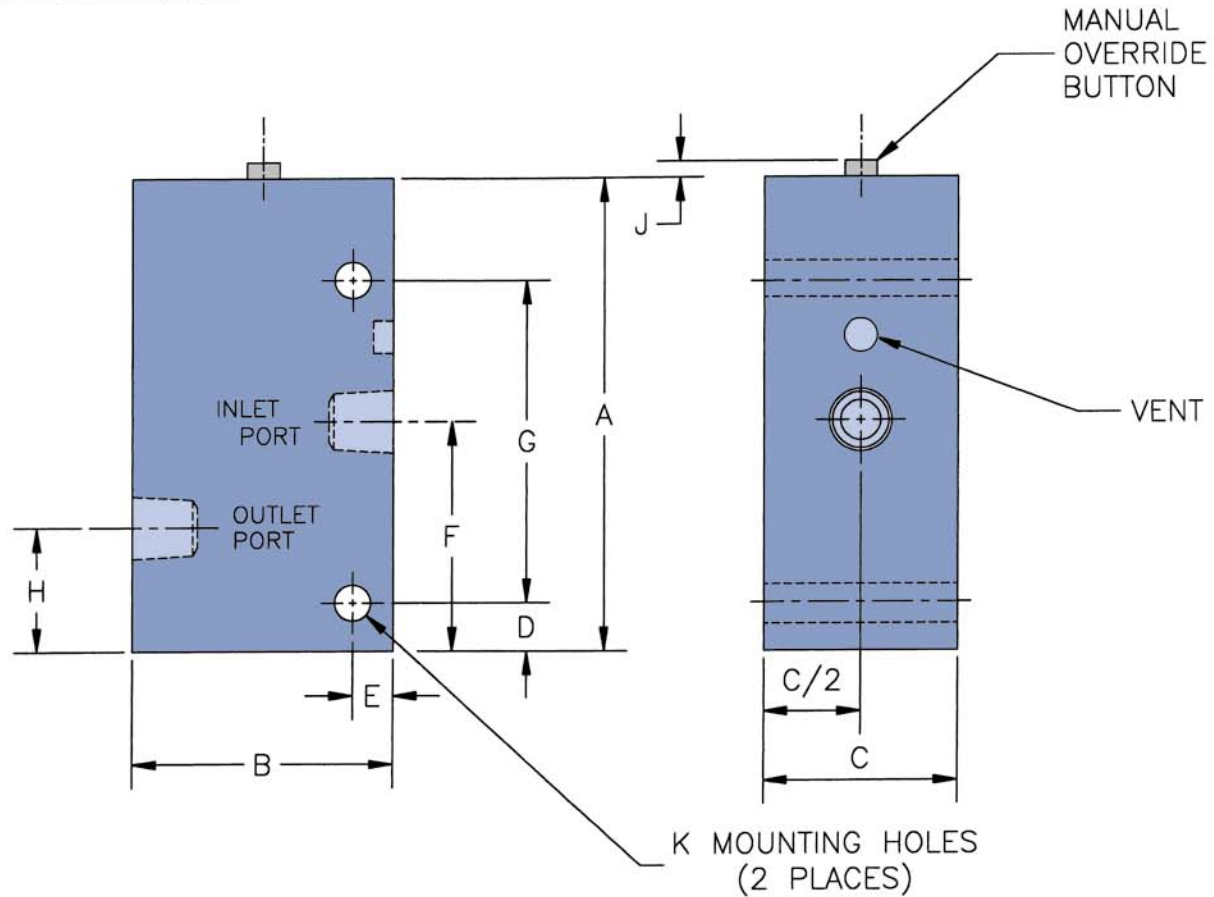


DIMENSIONAL DATA

SPECIFICATIONS

Port Size	A	B	C	D	E	F	G	H	J	K	L	Pilot Port	Cv	Weight Lbs.	Cracking Pressure	Pilot Ratio
3/8"	3.66	2.00	1.25	0.37	0.31	0.96	2.50	1.78	0.21	0.28	N/A	N/A	1.0	1.25	2.0 psi	1:1

* A-L All dimensions in inches



ORDERING INFORMATION

To order please indicate your part number(s) by formulating the desired style number for each of the corresponding areas from the list below. See the sample part number at right.

Button Style	Port Size	Seal Type	Options
36	38	01	(if required)

Button Style:

Style	Description
36	Internal Pilot Operated with Override Button
37	Internal Pilot Operated with Flush Override Button

Port Size:

Style	Description
38	3/8" NPTF

Seal Type:

Style	Description	Status
01	Buna N Seals – (Temperature range -30 to 150°F)	In-Stock
02	Viton Seals – (Temperature range -15 to 400 °F)	Limited Stock

Options:

Style	Description	Status
BSP	British Standard Parallel Ports G (Rp full form)	Special
SS	Stainless Steel, all parts	Special

* Options can be combined; please call with any questions

ALADCO®

W227 N546 Westmound Dr., Waukesha, WI 53186-1653
Tel 262-544-5994 • Fax 262-544-0116 • www.aladco.com

For Order Information Call • 1-800-383-6994

Improvements to ALADCO products are being actively investigated, so product characteristics may be subject to improvement without notice

