

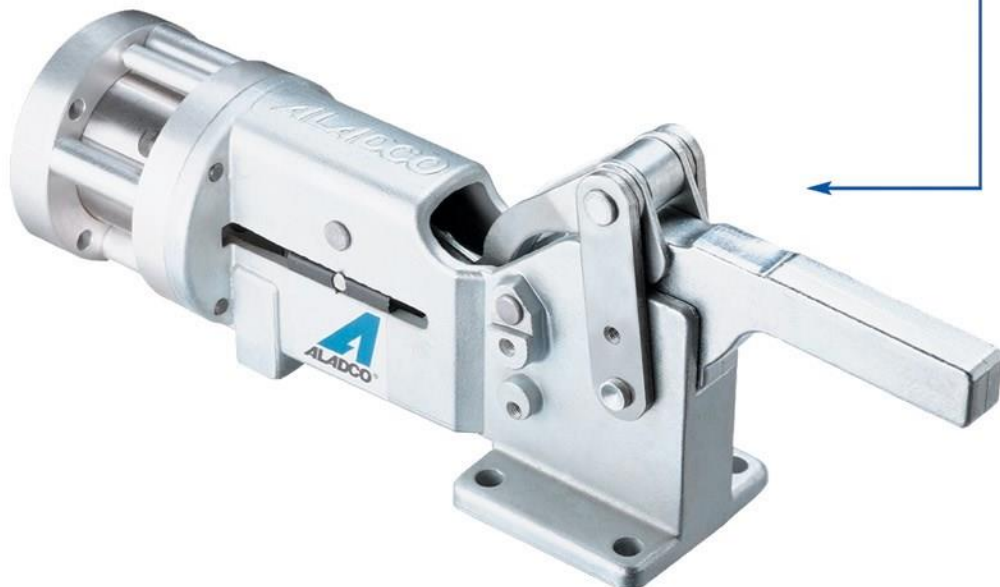
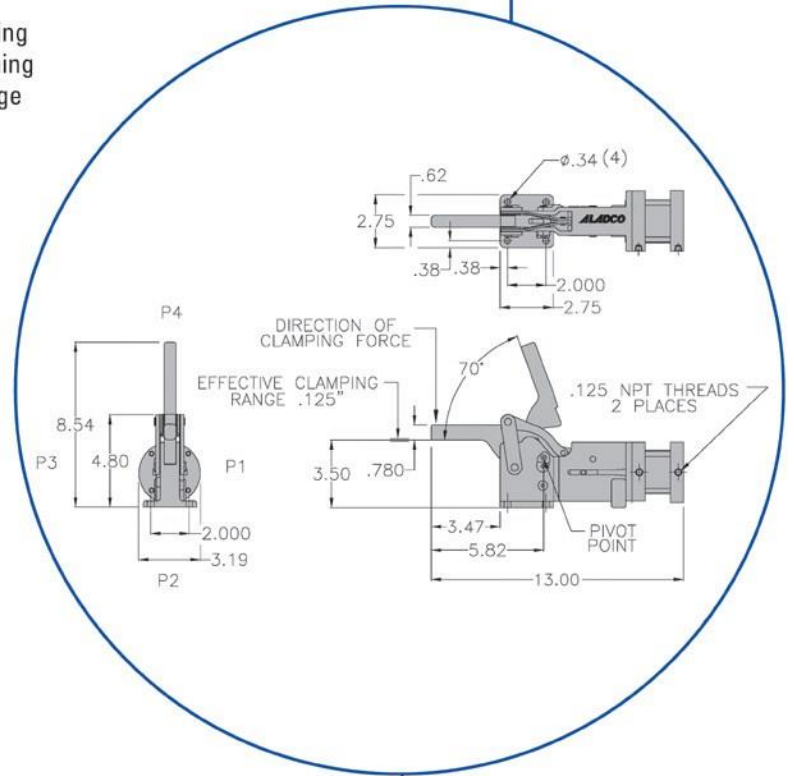
ROLLER-CAM CLAMP™

The Roller-Cam Clamp™ has specialized applications and is a patented Aladco product. The lightweight, compact clamp is ideal for fragile material handling such as glass and plastics. The clamping force is controllable and does not apply a crushing pressure. It has a unique variable clamping range of 0" to 0.12" to accommodate material variations and stacking tolerances.

The clamp's engineering design and material strength provides a dependable, durable product to fit your clamping needs.

Features

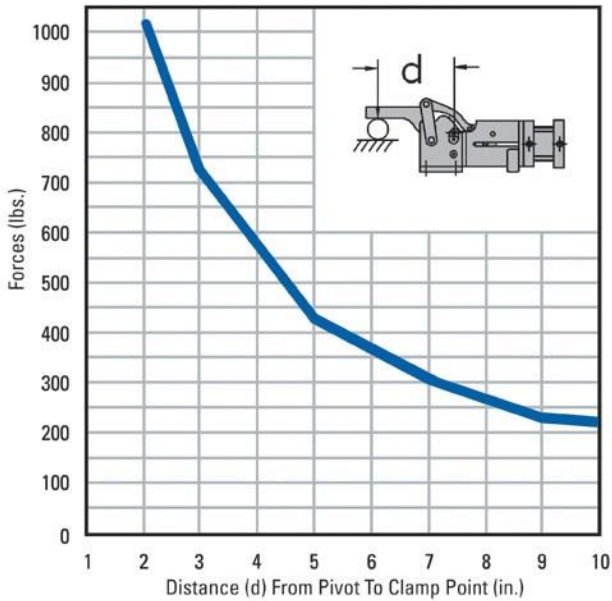
- Controllable clamping force
- Eliminates crushing pressures
- Accommodates material variations and stacking tolerances
- Variable clamping range is 0 to 0.12"
- Eliminates frequent tooling adjustments
- Standard 70° arm opening
- Superior size-to-holding force ratio
- Lightweight and compact in size
- Enclosed 0.75" cylinder rod prevents rod failure
- Powered by a 2.00" bore cylinder
- All heat treated, precision ground alloy steel components for reliability
- Patented and made in the USA



SPECIFICATIONS

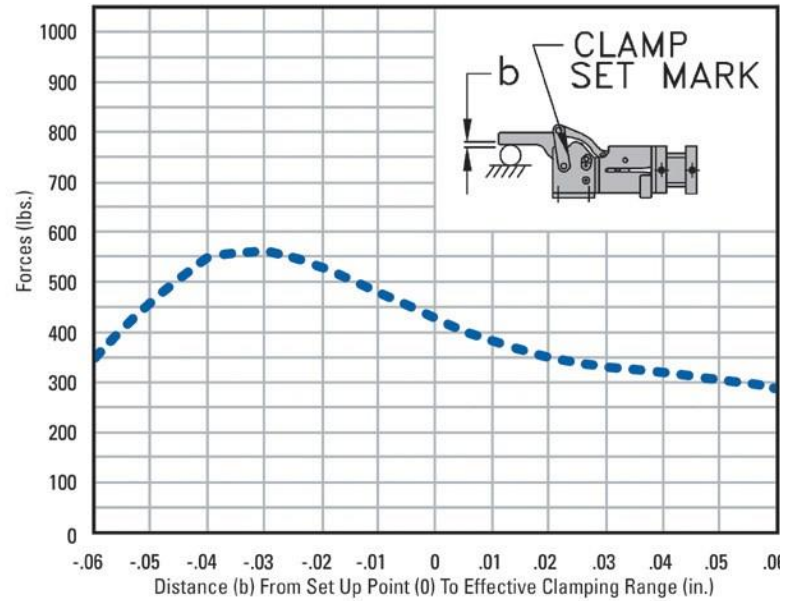
Total Weight	Arm Capacity	Arm Rotation	Maximum Pressure	Maximum Temperature
7.25 lbs	7,000 in - lbs	70°	250 psi	150° F

CLAMPING FORCES AT 80 PSI



$$\text{(Clamping Force} = \frac{80\text{PSI} \times 27.6}{\text{ARM DISTANCE}} \text{)}$$

CLAMPING RANGE AT 80 PSI



$$\text{(Clamping Range Calculated Using } d = 5.5\text{'')}$$

ORDERING INFORMATION

To order please indicate your part number(s) by formulating the desired style number for each of the corresponding areas from the list below. See the sample part number at right.

Body Style	Cylinder Type	Port Position
202	A01	P1

Body and Arm Style:

Style	Description
202	Roller-Cam Clamp with solid arm

Cylinder Type:

Style	Description
A01	Air, Aluminum, 2.00" bore and 1/8" NPT ports
A02	Air, Stainless Steel, 2.00" bore and 1/8" NPT ports (shown in drawing)

Port Position:

Style	Description
P1	Port Position #1 (shown in drawing)
P2	Port Position #2
P3	Port Position #3
P4	Port Position #4

- * Complete part number will be acknowledged on quote
- * An ALADCO® check valve is recommended to prevent the loss of clamping force if the air supply is interrupted

Aladco.com

1100B South Prairie Avenue | 262-544-5994
Waukesha, WI 53186

