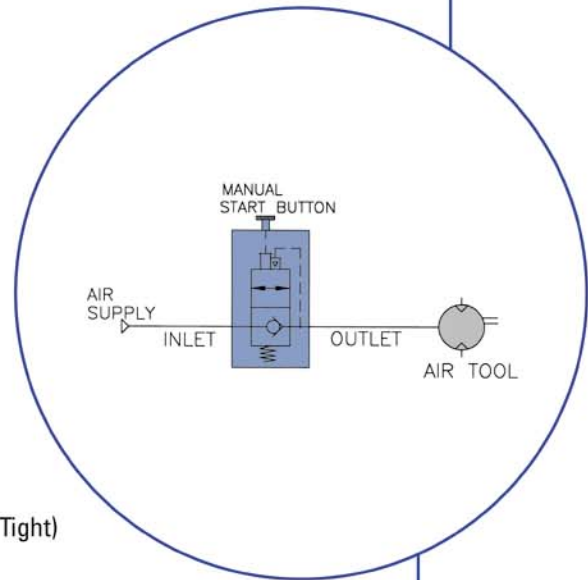


AIR-FUSE™ VALVES

The Air-Fuse™ Valve, designed specifically for pneumatics, is a patented ALADCO product. The valve monitors air circuits. In the event of broken air lines, the valve stops all air flow, preventing whipping hoses.

Features

- Designed for non-lubricated systems
- Operating pressure 30-120 psi and temperature 30-150°F
- Flow capacity 1.0 Cv
- Made of high strength, lightweight, anodized aluminum alloy
- Exceeds A.N.S.I. Class VI Leak Standard (Bubble Tight)
- Superior, self-cleaning ball seal provides long product life.
- All valves are manufactured tamper resistant and require no maintenance.
- Air flow is stopped 100% to allow for repair
- Manual start button will not reset until air line repair is made
- Activates when air pressure drops to 20 psi
- Patented and made in the USA



WARNING!
THIS VALVE TRAPS AIR IN
DEVICES! ACCIDENTAL
RELEASE OF TRAPPED
AIR OR FAILURE TO
RELIEVE TRAPPED AIR
MAY BE HAZARDOUS.

AIR INLET AND OUTLET
LINES MUST BE THE
SAME SIZE. PRESSURE
RANGE IS 30-120 PSI

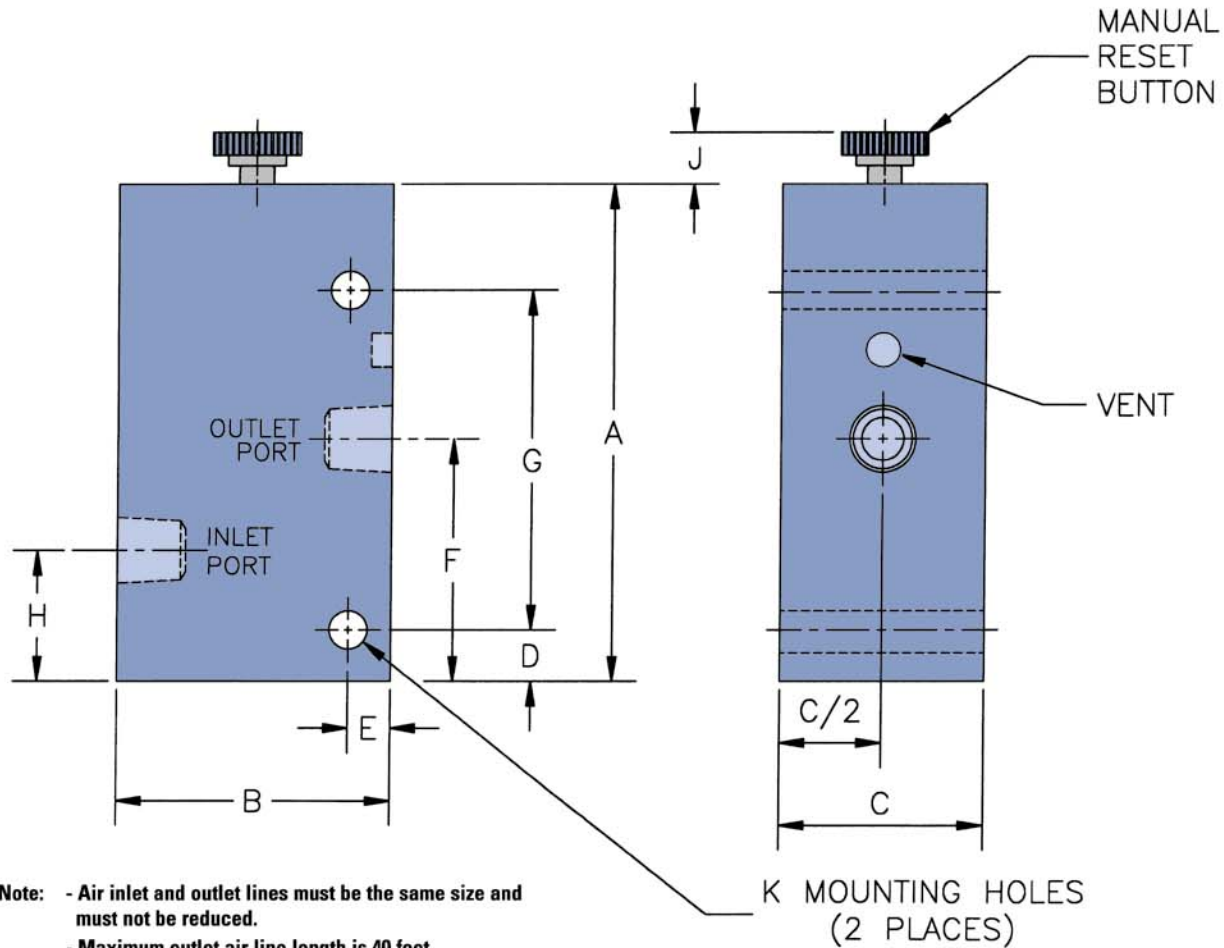
ALADCO
AIR-FUSE™
MODEL #383801
WAUKESHA, WISCONSIN
U.S.A. PATENTED

DIMENSIONAL DATA

SPECIFICATIONS

Port Size	A	B	C	D	E	F	G	H	J	K	L	Pilot Port	Cv	Weight Lbs.	Cracking Pressure	Pilot Ratio
3/8"	3.66	2.00	1.25	0.37	0.31	1.78	2.50	0.96	0.38	0.28	N/A	N/A	1.0	1.25	NA	1:1

* A-L All dimensions in inches



Note: - Air inlet and outlet lines must be the same size and must not be reduced.
- Maximum outlet air line length is 40 feet.

ORDERING INFORMATION

To order please indicate your part number(s) by formulating the desired style number for each of the corresponding areas from the list below. See the sample part number at right.

Button Style	Port Size	Seal Type	Options
SAMPLE 38	SAMPLE 38	SAMPLE 01	SAMPLE SA (if required)

Button Style:

Style	Description
38	Internal Pilot Operated with Reset Button

Port Size:

Style	Description
38	3/8" NPTF

Seal Type:

Style	Description	Status
01	Buna N Seals - (Temperature range -30 to 150°F)	In-Stock
02	Viton Seals - (Temperature range -15 to 400°F)	Limited Stock

Options:

Style	Description	Status
BSPP	British Standard Parallel Ports G (Rp full form)	Special
SS	Stainless Steel, all parts	Special

* Options can be combined; please call with any questions

ALADCO®

W227 N546 Westmound Dr., Waukesha, WI 53186-1653
Tel 262-544-5994 • Fax 262-544-0116 • www.aladco.com

For Order Information Call • 1-800-383-6994

Improvements to ALADCO products are being actively investigated, so product characteristics may be subject to improvement without notice

